

LUMENTURE

INSTALLATION INSTRUCTIONS

RH100-R-N-U-450

(For use only with Lumenture trim modules DL100, DLA100 & DLW100)



IMPORTANT

Read carefully before installing fixture. Retain instructions for future reference.

THIS PRODUCT MUST BE INSTALLED IN ACCORDANCE WITH THE APPLICABLE INSTALLATION CODE BY A PERSON FAMILIAR WITH THE CONSTRUCTION AND OPERATION OF THE PRODUCT AND THE HAZARDS INVOLVED. CONSULT A QUALIFIED ELECTRICIAN TO ENSURE CORRECT BRANCH CIRCUIT CONDUCTOR.

WARNING: RISK OF FIRE OR ELECTRICAL SHOCK.

WARNING: Make certain power is OFF before installing or maintaining fixture.

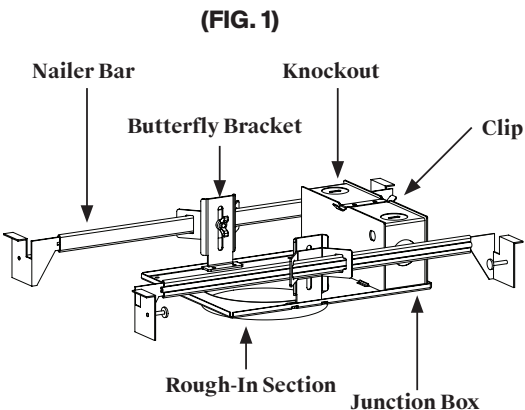
WARNING: Suitable for dry or damp locations only where the ambient temperature is 0°C/32°F minimum and 40°C/104°F maximum.

WARNING: Suitable for installation only in accessible ceilings. Access above ceiling is required.

WARNING: Do not install insulation within 76mm (3 in) of any part of the Luminaire.

ROUGH-IN MOUNTING

1. **Nailer Bars** are provided for use with wood joist installations. Insert **Nailer Bars** through slots in **Butterfly Brackets**, and secure them accordingly. C-channels are optionally available. Consult local building codes for fixture support requirements.
2. Remove appropriate **Knockout** on **Junction Box**. Press **Clip** to open Junction Box.
3. Feed supply wires through **Knockout** hole, and connect to driver. See wiring section for details.
4. Fixture can be adjusted to different heights above ceiling surface. For height adjustment, loosen **Wing Nut** (inside housing), and slide **Butterfly Bracket**.
5. Adjust both **Butterfly Brackets** so that frame of **Rough-In Section** is flush with finished ceiling surface. Tighten **Wing Nuts**.



TRIM MODULE MOUNTING

1. Pull **Housing Connector** through frame opening. Raise **Trim Module** toward opening, and connect to **Module Connector**, as shown in Fig. 2.
2. Slide **Trim Module** into frame opening. **Trim Ring** should be flush to ceiling.
3. For adjustable and wallwasher modules, adjust fixture so reflector is in correct orientation.

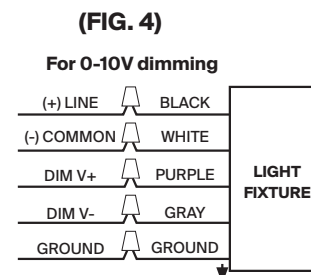
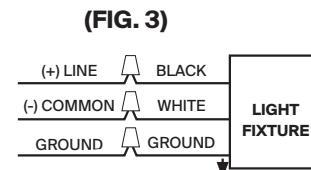
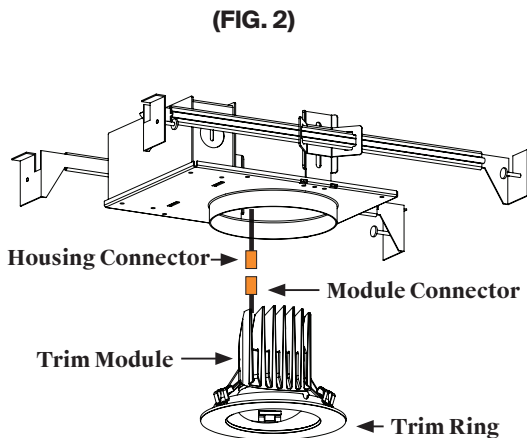
WIRING

Note: Driver permits operation at 120V through 277V, 50Hz or 60Hz.

For non dimming and triac and electronic low voltage (ELV) dimming, follow wiring directions in Fig. 3.

1. Connect **Ground** wire from fixture to supply ground.
2. Connect black fixture lead to (+) **Line** supply lead.
3. Connect white fixture lead to (-) **Common** supply lead.

For 0 - 10V dimming, follow -wiring directions in Fig. 4.



Thank you for buying Lumenture fixtures.
We welcome your feedback: info@lumenture.com.
www.lumenture.com

LUMENTURE

INSTALLATION INSTRUCTIONS

RH100-R-C-U-350

(For use only with Lumenture trim modules DL100, DLA100 & DLW100)



IMPORTANT

Read carefully before installing fixture. Retain instructions for future reference.

THIS PRODUCT MUST BE INSTALLED IN ACCORDANCE WITH THE APPLICABLE INSTALLATION CODE BY A PERSON FAMILIAR WITH THE CONSTRUCTION AND OPERATION OF THE PRODUCT AND THE HAZARDS INVOLVED. CONSULT A QUALIFIED ELECTRICIAN TO ENSURE CORRECT BRANCH CIRCUIT CONDUCTOR.

WARNING: RISK OF FIRE OR ELECTRICAL SHOCK.

WARNING: Make certain power is OFF before installing or maintaining fixture.

WARNING: Suitable for dry or damp locations only where the ambient temperature is 0°C/32°F minimum and 40°C/104°F maximum.

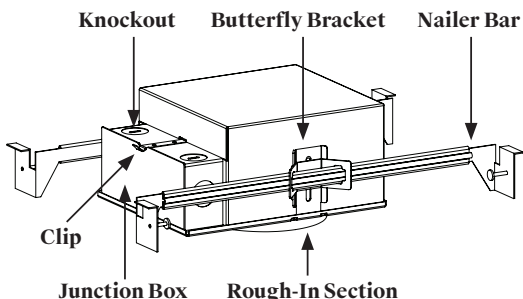
WARNING: Suitable for installation only in accessible ceilings. Access above ceiling is required.

NOTE: IC-rated housing can be installed in direct contact with insulation.

ROUGH-IN MOUNTING

1. **Nailer Bars** are provided for use with wood joist installations. Insert **Nailer Bars** through slots in **Butterfly Brackets**, and secure them accordingly. C-channels are optionally available. Consult local building codes for fixture support requirements.
2. Remove appropriate **Knockout** on **Junction Box**. Press **Clip** to open Junction Box.
3. Feed supply wires through **Knockout** hole, and connect to driver. See wiring section for details.
4. Fixture can be adjusted to different heights above ceiling surface. For height adjustment, loosen **Wing Nut** (inside housing), and slide **Butterfly Bracket**.
5. Adjust both **Butterfly Brackets** so that frame of **Rough-In Section** is flush with finished ceiling surface. Tighten **Wing Nuts**.

(FIG. 1)



TRIM MODULE MOUNTING

1. Pull **Housing Connector** through frame opening. Raise **Trim Module** toward opening, and connect to **Module Connector**, as shown in Fig. 2.
2. Slide **Trim Module** into frame opening. **Trim Ring** should be flush to ceiling.
3. For adjustable and wallwasher modules, adjust fixture so reflector is in correct orientation.

WIRING

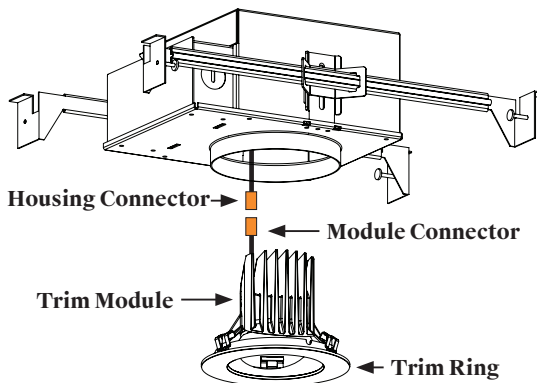
Note: Driver permits operation at 120V through 277V, 50Hz or 60Hz.

For non dimming and triac and electronic low voltage (ELV) dimming, follow wiring directions in Fig. 3.

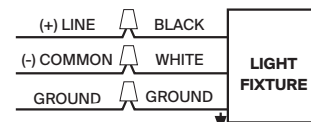
1. Connect **Ground** wire from fixture to supply ground.
2. Connect black fixture lead to (+) **Line** supply lead.
3. Connect white fixture lead to (-) **Common** supply lead.

For 0 - 10V dimming, follow -wiring directions in Fig. 4.

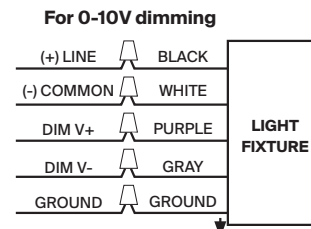
(FIG. 2)



(FIG. 3)



(FIG. 4)



Thank you for buying Lumenture fixtures.
We welcome your feedback: info@lumenture.com.
www.lumenture.com