

LUMENTURE

INSTALLATION INSTRUCTIONS

RH110-S-N-U-350

(For use only with Lumenture HL110 trim module)



IMPORTANT

Read carefully before installing fixture. Retain instructions for future reference.

THIS PRODUCT MUST BE INSTALLED IN ACCORDANCE WITH THE APPLICABLE INSTALLATION CODE BY A PERSON FAMILIAR WITH THE CONSTRUCTION AND OPERATION OF THE PRODUCT AND THE HAZARDS INVOLVED. CONSULT A QUALIFIED ELECTRICIAN TO ENSURE CORRECT BRANCH CIRCUIT CONDUCTOR.

WARNING: RISK OF FIRE OR ELECTRICAL SHOCK.

WARNING: Make certain power is OFF before installing or maintaining fixture.

WARNING: Suitable for dry or damp locations only where the ambient temperature is 0°C/32°F minimum and 40°C/104°F maximum.

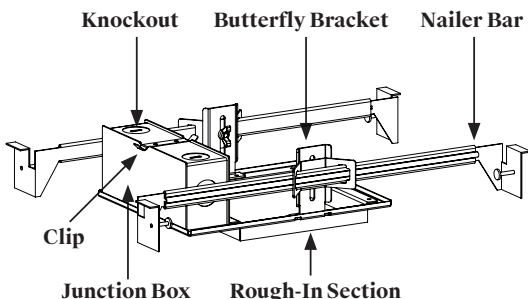
WARNING: Suitable for installation only in accessible ceilings. Access above ceiling is required.

WARNING: Do not install insulation within 76mm (3 in) of any part of the Luminaire.

ROUGH-IN MOUNTING

1. **Nailer Bars** are provided for use with wood joist installations. Insert **Nailer Bars** through slots in **Butterfly Brackets**, and secure them accordingly. C-channels are optionally available. Consult local building codes for fixture support requirements.
2. Remove appropriate **Knockout** on **Junction Box**. Press **Clip** to open Junction Box.
3. Feed supply wires through **Knockout** hole, and connect to driver. See wiring section for details.
4. Fixture can be adjusted to different heights above ceiling surface. For height adjustment, loosen **Wing Nut** (inside housing), and slide **Butterfly Bracket**.
5. Adjust both **Butterfly Brackets** so that frame of **Rough-In Section** is flush with finished ceiling surface. Tighten **Wing Nuts**.

(FIG. 1)



TRIM MODULE MOUNTING

1. Pull **Housing Connector** through frame opening. Raise **Trim Module** toward opening, and connect to **Module Connector**, as shown in Fig. 2.
2. Slide **Trim Module** into frame opening. **Trim** should be flush to ceiling.
3. For adjustable and wallwasher modules, adjust fixture so reflector is in correct orientation.

WIRING

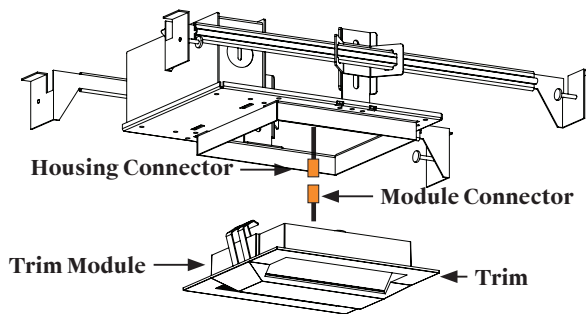
Note: Driver permits operation at 120V through 277V, 50Hz or 60Hz.

For non dimming and triac and electronic low voltage (ELV) dimming, follow wiring directions in Fig. 3.

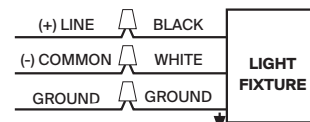
1. Connect **Ground** wire from fixture to supply ground.
2. Connect black fixture lead to (+) **Line** supply lead.
3. Connect white fixture lead to (-) **Common** supply lead.

For 0 - 10V dimming, follow -wiring directions in Fig. 4.

(FIG. 2)

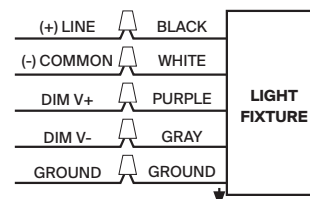


(FIG. 3)



(FIG. 4)

For 0-10V dimming



Thank you for buying Lumenture fixtures.
We welcome your feedback: info@lumenture.com.
www.lumenture.com