

# LUMENTURE

## RWW160 INSTALLATION INSTRUCTIONS



### IMPORTANT

**Read carefully before installing fixture. Retain instructions for future reference.**

THIS PRODUCT MUST BE INSTALLED IN ACCORDANCE WITH THE APPLICABLE INSTALLATION CODE BY A PERSON FAMILIAR WITH THE CONSTRUCTION AND OPERATION OF THE PRODUCT AND THE HAZARDS INVOLVED. CONSULT A QUALIFIED ELECTRICIAN TO ENSURE CORRECT BRANCH CIRCUIT CONDUCTOR.

**WARNING: RISK OF FIRE OR ELECTRICAL SHOCK.**

**WARNING:** Make certain power is OFF before installing or maintaining fixture.

**WARNING:** Suitable for dry or damp locations only where the ambient temperature is 0°C/32°F minimum and 40°C/104°F maximum.

**WARNING:** Suitable for installation only in accessible ceilings. Access above ceiling is required.

**WARNING:** Do not install insulation within 76mm (3 in) of any part of the Luminaire.

### Installation Steps

1. Locate center of proposed opening on ceiling and use provided template to mark and accurately cut a **6 1/2" x 2 1/4" Hole** for fixture.
2. Remove appropriate **Knock Out** on **Junction Box Cover**. Unclip cover to open **Junction Box**.
3. Feed the supply wires through **Knock Out** hole and connect to the driver. See wiring section for details.
4. Press **Trim Module** through ceiling opening so the **Trim** is flush to ceiling and secured with **Spring Clips**. Fig. 1

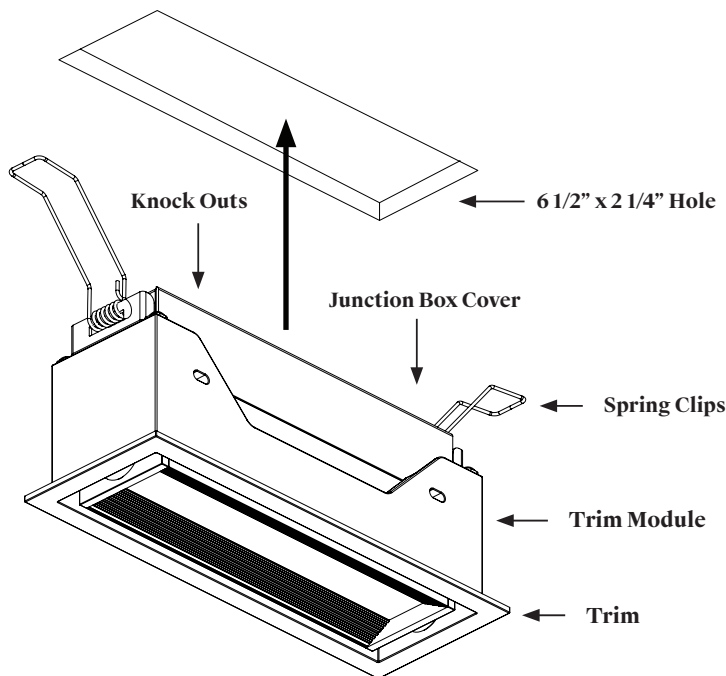
### WIRING

Note: Driver permits operation at 120V thru 277V, 50 or 60 Hz.

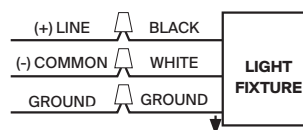
For Non-Dimming, Triac and Electronic Low Voltage (ELV) dimming follow the wiring directions in fig. 2.

1. Connect the GROUND wire from fixture to supply ground.
  2. Connect the black fixture lead to the (+) LINE supply lead.
  3. Connect the white fixture lead to the (-) COMMON supply lead.
- For 0-10V dimming follow the wiring directions in Fig. 3.

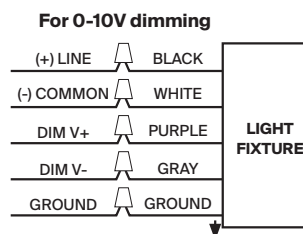
(FIG. 1)



(FIG. 2)



(FIG. 3)



Thank you for buying Luminaire fixtures  
We welcome your feedback: [info@luminaire.com](mailto:info@luminaire.com)  
[www.luminaire.com](http://www.luminaire.com)