

LUMENTURE®

HL110 HALLWAY LIGHTS

TYPE: _____

PROJECT: _____



Luminaire's HL110 directs light toward the walls – allowing you to increase perceived light levels or reduce fixture counts. The impressive performance comes in a discreet form factor that blends effortlessly into ceilings.



Weight
18 oz.
(module only)



Wattage
14W - 1250 lumens



Input
120V - 277V
AC Input



Material & Finish
Die-cast aluminum
module. Powdercoat



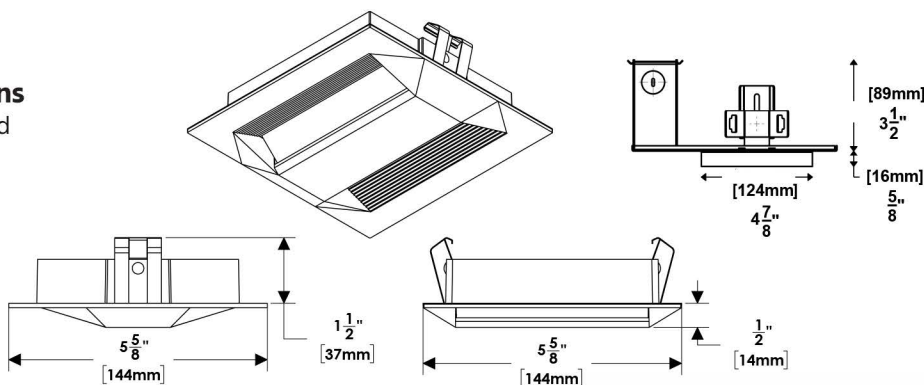
Housing Options
Open Non-IC-rated



Accessories
Field replaceable
accessories

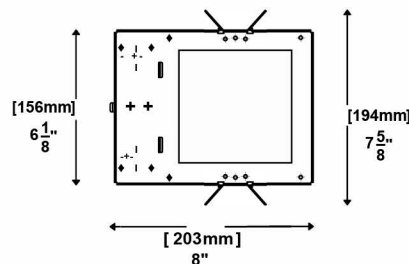


Dimming
Triac, ELV and
0-10V



ORDERING

FIXTURE	CCT/CRI*	TRIM COLOR
HL110 - Hallway Lights	27H - 2700K, CRI 90+	W - White
	30H - 3000K, CRI 90+	B - Black
	30V - 3000K, CRI90+, VividLight™	C - Custom
	35H - 3500K, CRI 90+	
	40H - 4000K, CRI 90+	



MODULE ORDERING EXAMPLE: HL110-30H-W

FAMILY	SHAPE	TYPE	DRIVER	OUTPUT (MA)
RH110	S - Square	N - Non IC Rated	U - Universal Dimming Driver	350 - 14W

*Custom options available, please consult factory.



HOUSING ORDERING EXAMPLE: RH110-S-N-U-350

Listings: Certified to UL standard 1598 and CSA C22.2 No. 250.0-08 for damp locations



Product specifications subject to change.

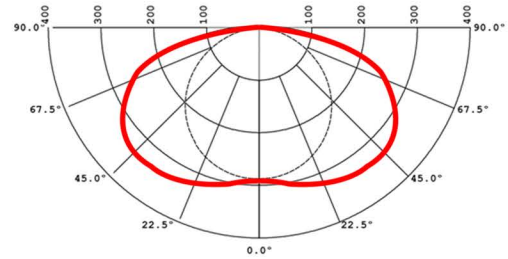
PHOTOMETRICS

Lumen output values fluctuate based on CCT and CRI. To estimate delivered lumen output of the various CCT/CRI options, multiply nominal lumens (1250 lumens) by the multiplier below.

CODE	CCT	CRI	TECHNOLOGY	MULTIPLIER
27H	2700K	90+	Standard	0.95
30H	3000K	90+	Standard	1.00
30V	3000K	90+	VividLight™	0.80*
35H	3500K	90+	Standard	1.05
40H	4000K	90+	Standard	1.05

Lumenture maintains a lumen output tolerance of +/- 7.5%
*VividLight™ perceived brightness is significantly higher than measured lumens.

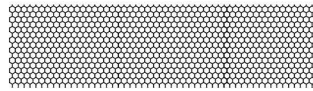
HL110
Delivered Light Output: 1250 Lumens
Total Watts @120V: 14;
Lumens Per Watt: 94



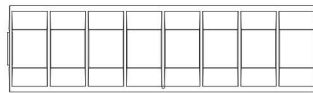
DIMMING

Dimming is standard and allows for smooth illumination below 5% with certain dimmers. Compatible with 0-10V, most triac (forward phase) and ELV (reverse phase) dimmers. For dimmer compatibility, refer to the Dimming Compatibility document on our website.

LENSES & LOUVERS



HL110-HL
Black Honeycomb
Louver



HL110-B
Black Cross
Baffle

HL110-x

Lens Accessories

- CL** (Clear)
- G** (Green)
- LB** (Light Blue)
- R** (Red)
- RO** (Rose)
- Y** (Yellow)
- LS** (Linear Spread)
- SOL** (Solite)